

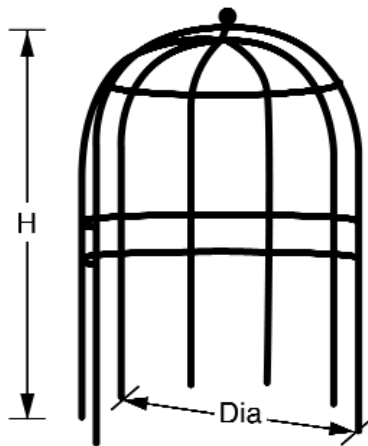
ENQUIRY / ORDER FORM - SUSSEX BOWER

CONTACT DETAILS

Name	<input type="text"/>
Address	<input type="text"/>
Postcode	<input type="text"/>
Daytime Tel no.	<input type="text"/>

Please complete either the garden structure detail boxes above and then draw a 1-dimension line drawing of your structure. Please use the scale given and also write the length of meters of each dimension

Front



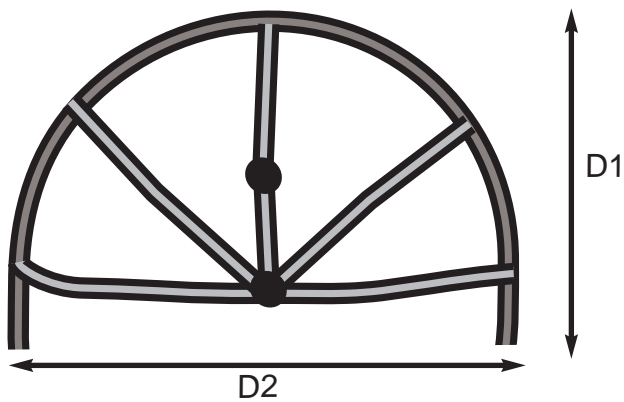
H.....

Dia.....

D1.....

D2.....

Top



Enquiry & Helpline

Please phone 0845 260 4450 or email sales@agriframes.co.uk if you have any problems completing the form

Please fax or post this form to:



0117 934 1791



**Agriframes, Journal House,
Hartcliffe Way Bristol BS3 5RJ**