

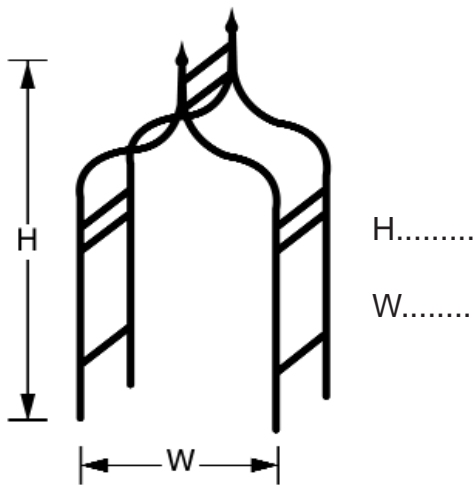
ENQUIRY / ORDER FORM - GOTHIC ARCH

CONTACT DETAILS

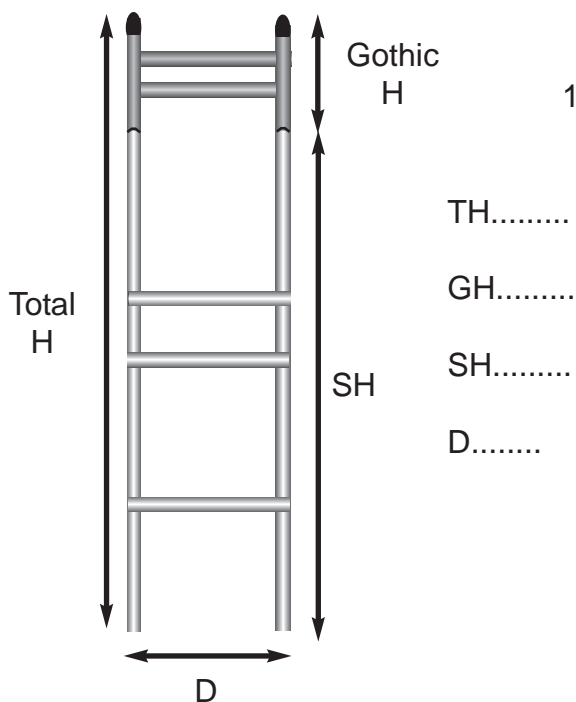
Name	
Address	
Postcode	
Daytime Tel no.	

Please complete either the garden structure detail boxes above and then draw a 1-dimension line drawing of your structure. Please use the scale given and also write the length of meters of each dimension

Front



Side



Enquiry & Helpline

Please phone 0845 260 4450 or email sales@agriframes.co.uk if you have any problems completing the form

Please fax or post this form to:



0117 934 1791



**Agriframes, Journal House,
Hartcliffe Way Bristol BS3 5RJ**